

# *TECHNICAL DATA*

Concrete Placing Boom

MODEL : EPB42

Technical amendments are reserved. The specifications here are subject to change with or without prior notice.

---

# CONTENTS

1. SPECIFICATION
2. SUPPLY SCOPE
  - STANDARD ITEMS
  - OPTION ITEMS
  - ACCESSORIES LIST
3. WORKING RANGE
4. MAIN PARTS
  - EPB42 ASSEMBLY
  - EPB42 CONNECTION OF ASSEMBLY (THE FIELD)
  - EPB42 PIN & BOLT
  - EPB42 PEDESTAL & COLUMN
  - EPB42 BOOM
  - EPB42 COUNT WEIGHT
  - EPB42 WEIGHT SUPPORT
  - EPB42 OIL TANK & ELEC. MOTOR
  - EPB42 PIN & BOLT ASSEMBLY
  - EPB42 WIRE ROPE

1. SPECIFICATION

ITEM		Unit	EPB 42	Remarks
<b>Boom Specs</b>				
Boom Type		-	3 - R Boom	
Horizontal reach		m	42	
Reach depth		m	27	
End Hose		m	3	
Boom(Arm) reach	1st Section	mm	8,900+11,000=19,900	Detachable
	2nd Section	mm	10,700	
	3rd Section	mm	10,000	
Boom Articulation	1st Section	°	84	
	2nd Section	°	180	
	3rd Section	°	248	
<b>General Specs</b>				
Mast Height		m	14 ton tower crane mast	Optional
Pipeline Diameter		mm	125	
Boom Rotation Speed		rpm	0.25	
Boom Rotation Degree		°	360	
Generating Power		kW	37	
Concrete Output		m <sup>3</sup> /hr	15 - 150	
Main Power		V / Hz	380V / 50Hz	
Control System	Standard	-	Wire Remote Control	
	Optional	-	Radio Remote Control	Wireless
<b>Weight</b>				
Boom Weight		Kg	5,000	1 <sup>st</sup> (11,000mm) to 3rd arm
Pedestal and 1 <sup>st</sup> arm(8,900mm)		Kg	11,000	
Weight Frame		Kg	3,500	
Counter Weight		Kg	3,500 x 3ea = 10,500	

## 2. SUPPLY SCOPE

### [ STANDARD ITEMS ]

NO.	DESCRIPTION	UNIT	EPB 42
1	Concrete Placing Boom M42 – 1 <sup>st</sup> (11,000mm) to 3 <sup>rd</sup>	unit(s)	1
2	Pedestal and 1 <sup>st</sup> arm section(8,900mm)	unit(s)	1
3	Counter weight 3.5 ton	ea	3
4	Support frame for counter weight	set(s)	1
5	Platform for first arm	set(s)	1
6	Working platform for pedestal	set(s)	1
7	End hose - 3m	ea	1
8	Wire remote control	set(s)	1
9	Bolt & Nut (M42X2P-450L):8ea	set(s)	1
10	Lifting wire rope	set(s)	1
11	Accessories	set(s)	1

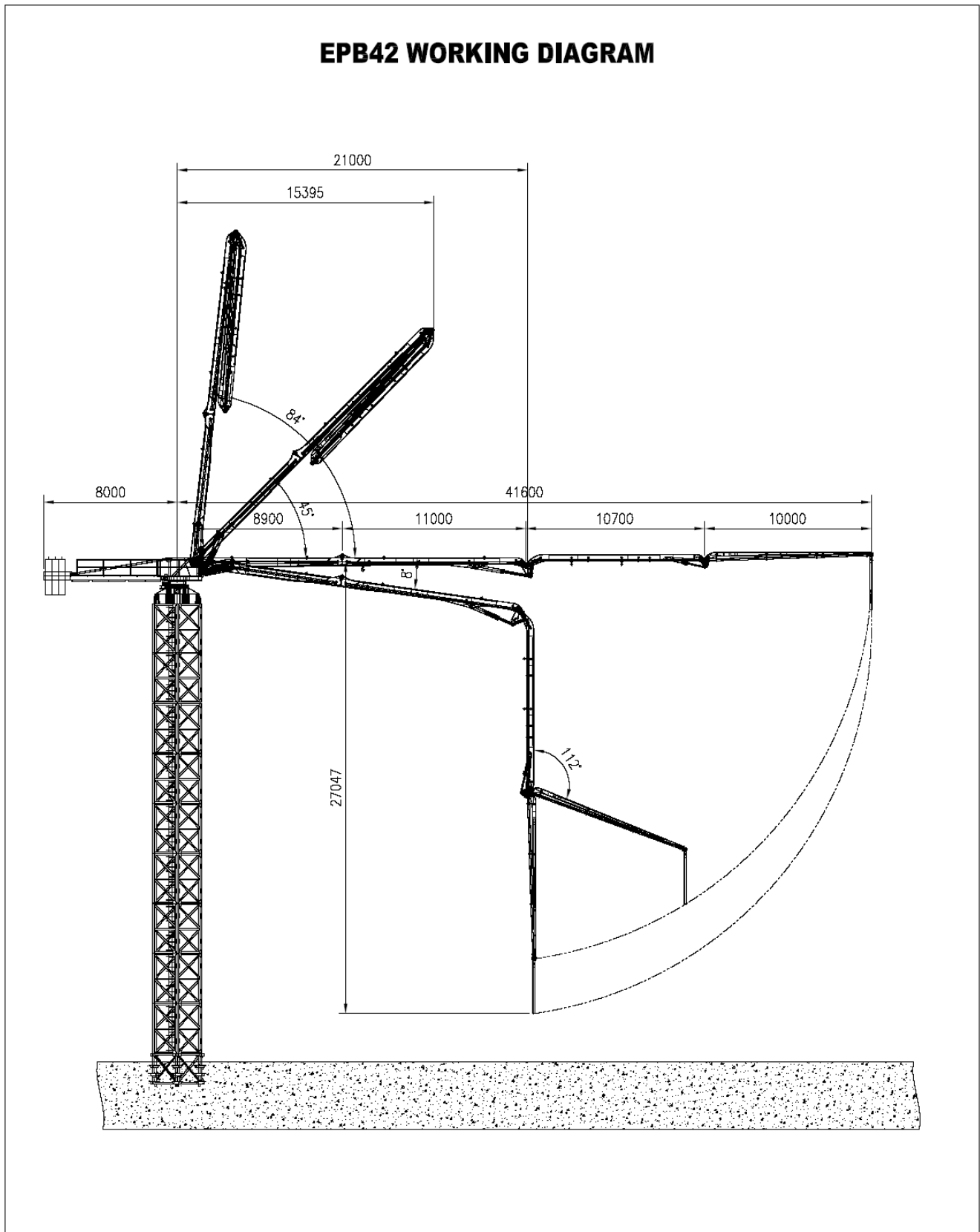
### [ OPTION ITEMS ]

NO.	DESCRIPTION	UNIT	EPB 42
1	Anchor mast	Set(s)	for freestanding
2	Main Mast section (Base 2x6m + upper 3m's)	set(s)	
3	Wall bracing	set(s)	
4	Delivery Pipes/Clamps	set(s)	
5	Radio remote control	Set(s)	
6	Power Cable	m	

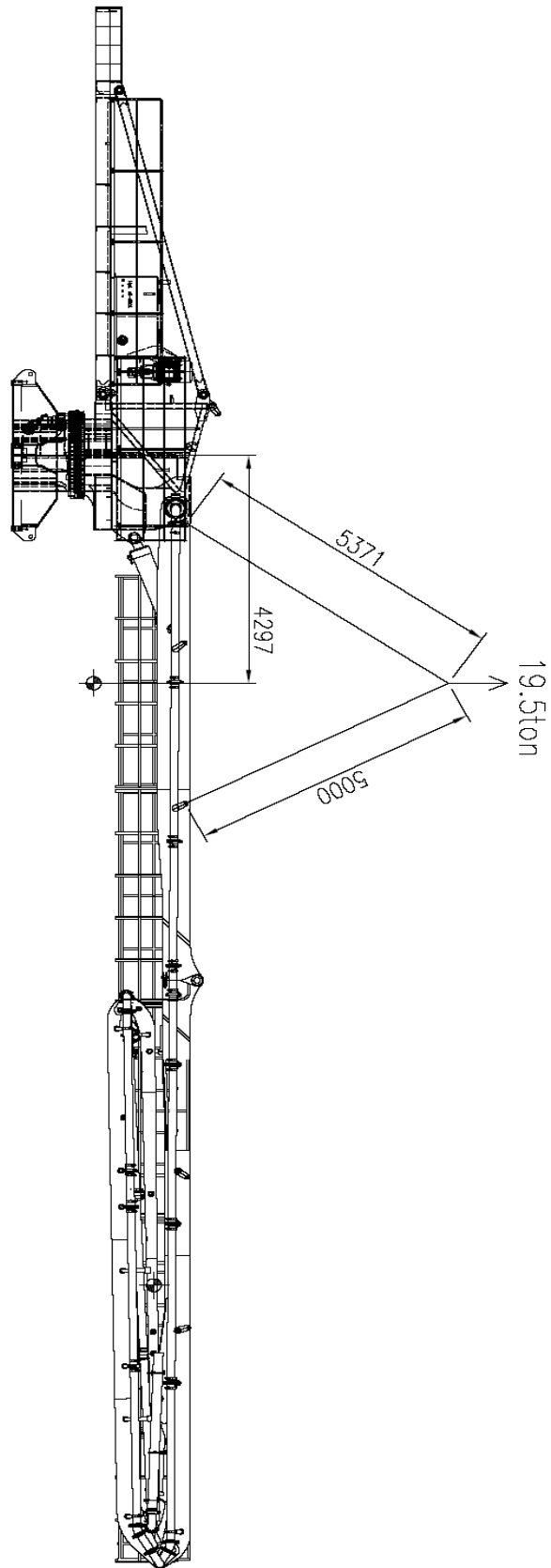
**[ ACCESSORIES LIST ]**

NO.	PARTS NO.	PARTS NAME	DESCRIPTIONS	UNITS	Q'TY
1	H2140004-01	TOOLS	STD	set	1
2	H2140004.33	SPANNER	70	ea	2
3	181-00188D4	UNION NUT	M12L	ea	10
4	181-00188D6	UNION NUT	M18L	ea	2
5	181-00187D4	RING;THRUST	DR12L/S	ea	10
6	181-00187D6	RING;THRUST	DR18L	ea	2
7	181-00254D7	PLUG	VS 12L/S	ea	10
8	181-00254D9	PLUG	VS 18L	ea	2
9	181-00204D7	COUPLING;STRAIGHT	GS 12L	ea	10
10	181-00204D9	COUPLING;STRAIGHT	GS 18L	ea	2
11	181-00252D4	COUPLING;STRAIGHT	SNV 12L	ea	4
12	181-00202D29	COUPLING;MALE STUD	GES12L/R1/2-W	ea	4
13	9630015.D30	HYD. HOSE	NW38_800L	ea	1
14	96330001.118	HYD. HOSE	25S-1200L	ea	1
15	96330001.56	HYD. HOSE	12L-450L	ea	1
16	96330001.64	HYD. HOSE	18L-1800L	ea	1
17	96330001.20	HYD. HOSE	18L-1000L	ea	1
18	96330001.34	HYD. HOSE	18L-1400L	ea	1
19	96330001.162	HYD. HOSE	25S-1800L	ea	1
20	96330001.100	HYD. HOSE	12L-2000L	ea	1
21	96330001.06	HYD. HOSE	12L-1000L	ea	1
22	474-00013	FILTER INSERT	10 MICRON	ea	1
23	H2140098	ELEC. SPARE PARTS	DC12V	SET	1
24	26620120A	COUPLING ASS'Y	D125	ea	2
25	93930011A	PACKING	5.5"	ea	6
26	29620002	SPONGE RUBBER BALL	D125	ea	1
27	2660033B	ELBOW 90'	5.5"	ea	1
28	H2080007	FILTER ELEMENT	FOR BOOM	ea	1
29	H2080008	BOOM FILTER	10 Micron	ea	1
30	26600023	MT SCREW COUPLING	5.5"	ea	1
31	26630113	SPACER	6t	ea	2
32	91730014	SPRING PIN		ea	3
33	H2970094	MANUAL&PART LIST		ea	2

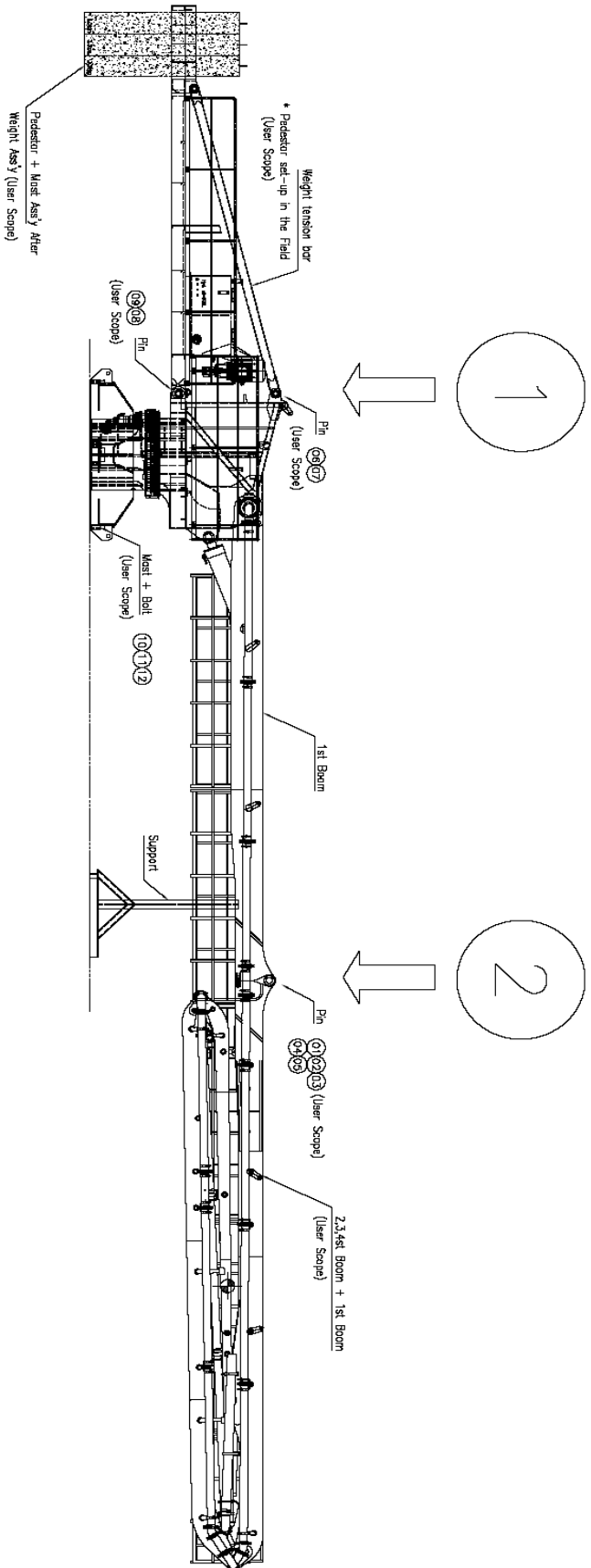
### 3. WORKING RANGE



EPB42 ASSEMBLY

 **EVERDIGM**

EPB42 Connection of Assembly(The Field)



NOTE

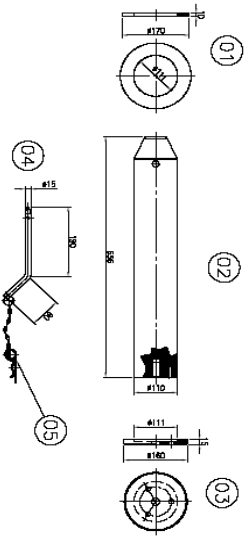
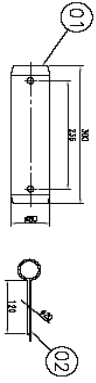
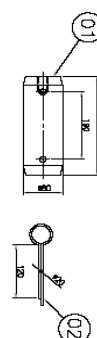
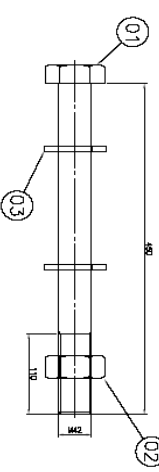
1. Before Assembly The Structure Make An Even With The Grand
2. Assembly No. ① (Weight Support) : See Pin & Bolt Assembly Summary
3. Assembly No. ② (2,3,4th Boom) : See Pin & Bolt Assembly Summary

\* When You Set-up in the Field you Must Read The Manual And Follow The Safety Rules.

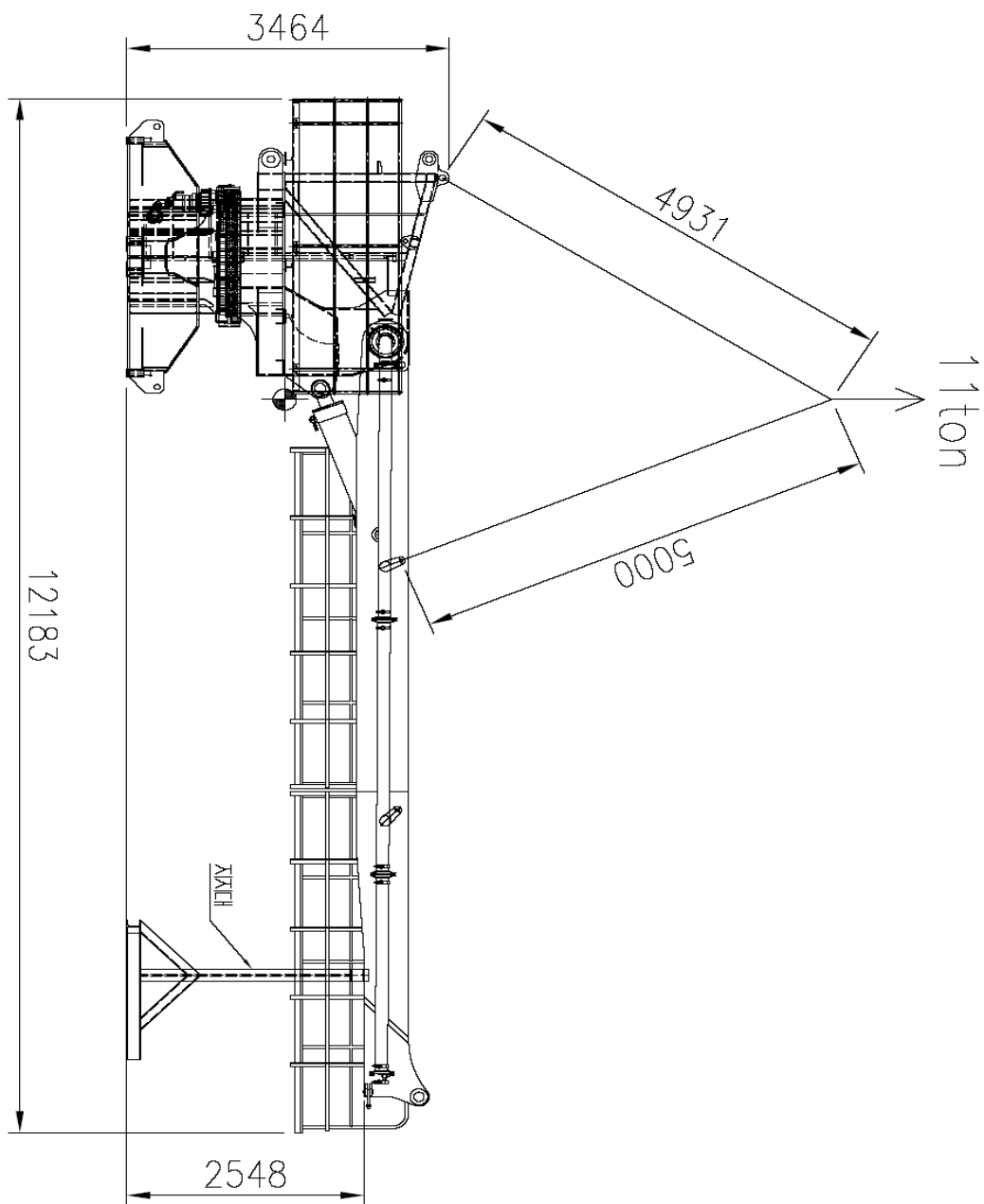
\* Those Who Didn't Choose The Field Set-up option They Have to Set-Up By There own.



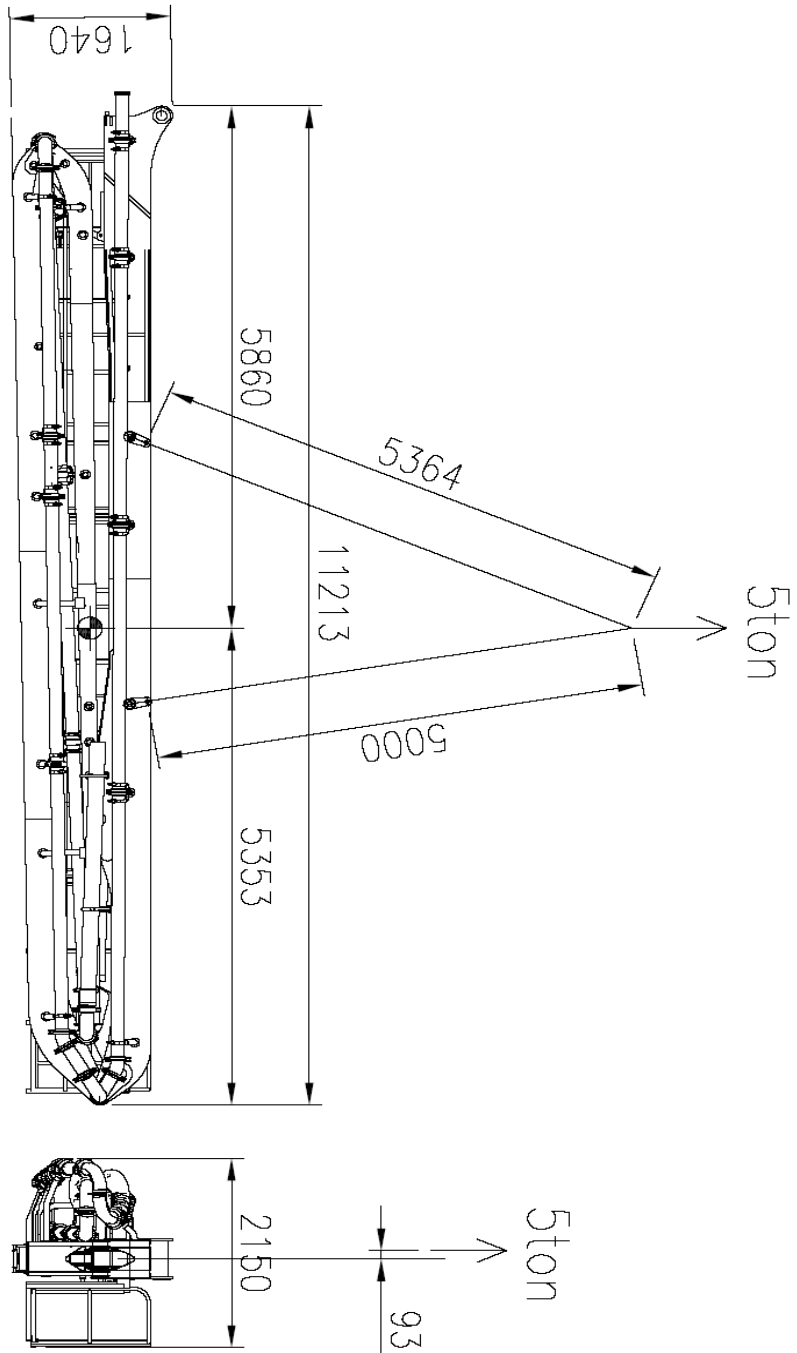
EPB42 Pin & Bolt

Part		Part No.	Description	Q'ty of Assembly	Draw Of Detail	Remarks
No.	Q'ty					
01	1	H2018130	Plate - Ring	1		1# Boom + Boom Ass'y
02	1	H2018129	Pin			
03	1	H2018132	Cover			
04	1	H2023061	Pin			
05	1	Z2730100A	Spring-Pin Ass'y			
06	1	H2022846	Pin	4		Weight tension Bar Ass'y
07	2	CS5100902	Pin - Split			
08	1	H2023109A	Pin	2		Pedestar + Weight Support
09	2	CS5100902	Pin - Split			
10	1	H2160018	BOLT-HEX.			
11	1	H2160019	NUT-HEX.	8		Pedestar + Mast Ass'y
12	2	H2160020	WASHER-SPRING			

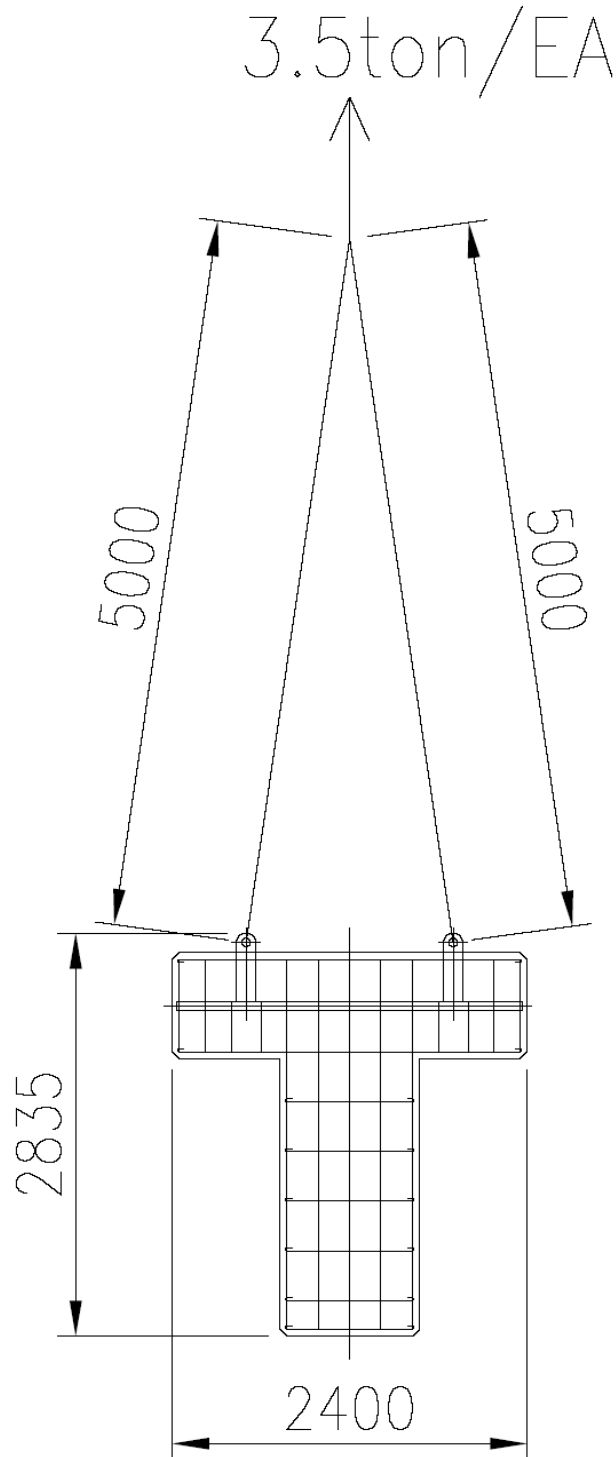
EPB42 Pedestals & Column



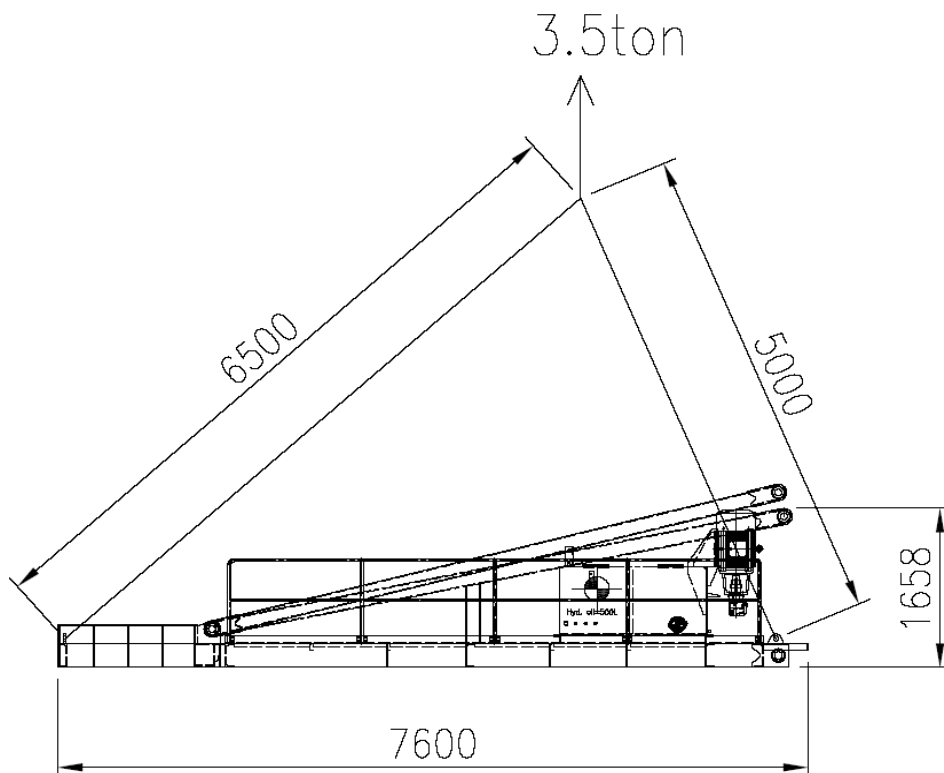
EPB42 Boom



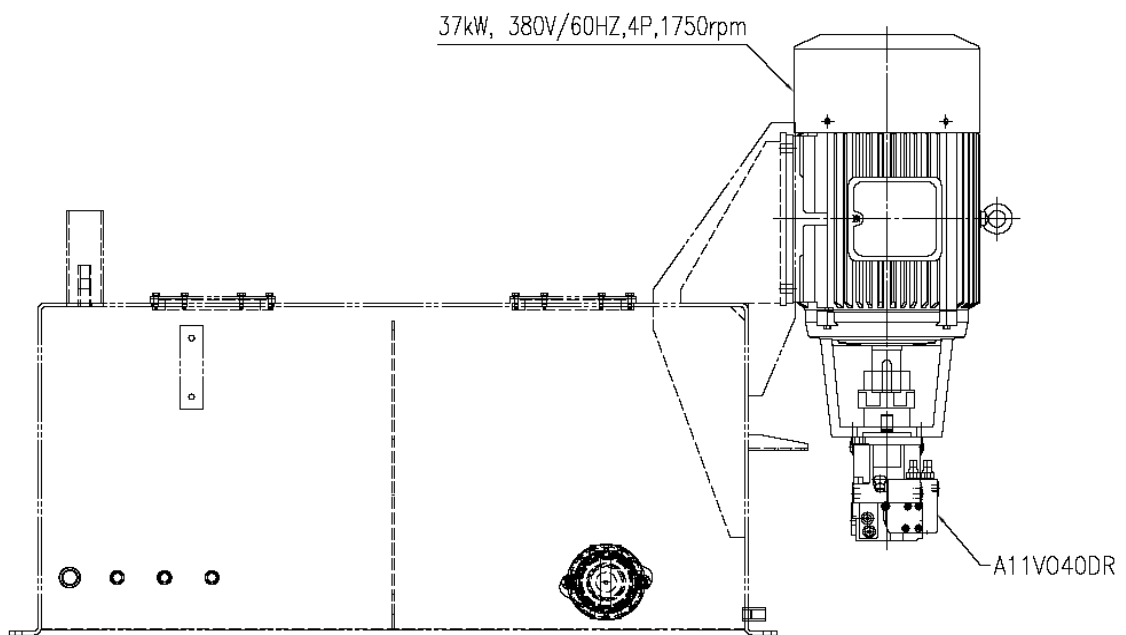
EPB42 Count Weight



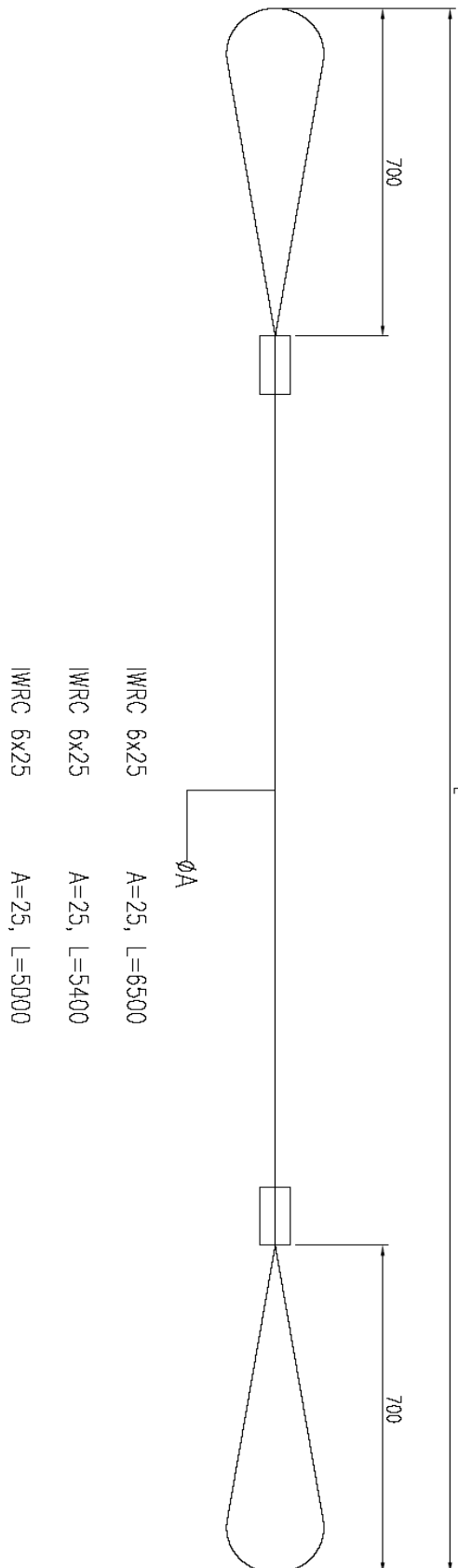
EPB42 Weight Support



EPB42 Oil tank & Elec, Motor



EPB42 WIRE ROPE



1. IWRC 6x25 A type Break Strength : 34.7ton
2. Safe Load : 8ton (Below)