

TECHNICAL DATA

Concrete Placing Boom

MODEL : EPB 36 CL

CONTENTS

1. SPECIFICATION

2. SUPPLY SCOPE

- STANDARD MODEL
- STANDARD ITEMS
- OPTION ITEMS
- ACCESSORIES LIST

3. WORKING RANGE

4. MAIN PARTS

- PLACING BOOM ASSEMBLY
- BOOM ASS'Y
- MAST(COLUMN)
- MAST BRACKET
- PEDESTAL ASSEMBLY
- BASE FRAME & MAST ANCHOR (OPTION)
- CLIMBING CYLINDER
- WORKING PLATFORM
- LADDER WITH GRID & LADDER WITHOUT GRID
- ADAPTER

1. SPECIFICATION

ITEM		Unit	EPB 36 CL	Remarks
Boom Specs				
Boom Type		-	4 - R Boom	
Horizontal reach		m	35.5	
Reach depth		m	29.6	including end hose
End Hose		M	3	
Boom reach	1st Section	mm	9,500	
	2nd Section	mm	8,600	
	3rd Section	mm	8,600	
	4th Section	mm	8,600	
Boom Articulation	1st Section	°	80	
	2nd Section	°	180	
	3rd Section	°	180	
	4th Section	°	240	
General Specs				
Mast Height		m	20(10mx2EA)	
Pipeline Diameter		mm	125	
Rotation Speed		rpm	0.5	
Rotation Degree		°	370	
Generating Power		kW	18	
Concrete Output		m ³ /hr	15 – 150	
Main Power		V / Hz	380V / 50Hz	
Control System	Standard	-	Wire Remote Control	
	Option	-	Radio Remote Control	Wireless
Weight				
Boom Weight		Kg	5,250	
Pedestal + Adapter Weight		Kg	5,200	

2. SUPPLY SCOPE

[STANDARD MODEL]

NO.	DESCRIPTION	UNIT	MODEL
1	Concrete Placing Boom	unit(s)	EPB 36 CL
2	Application for pump truck		NO APPLICATION

[STANDARD ITEMS]

NO.	DESCRIPTION	UNIT	EPB 36 CL
1	Concrete Placing Boom M36	unit(s)	1
2	Pedestal for EPB	unit(s)	1
3	Mast (750mmx750mmx10m)	unit(s)	2
4	Mast Bracket	set(s)	3
5	Mast Pin	ea	2
6	Wire Remote Control	set(s)	1
7	End Hose - 3m	ea	1
8	Climbing Cylinder	ea	2
9	Climbing Cylinder Hyd' Hose - 20m	set(s)	1
10	Climbing Control Switch	set(s)	1
11	Adapter	ea	1
12	Working Platform	set(s)	1
13	Ladder (With gide:3, Without:1) : 2m	ea	4
14	Bolt & Nut (M30X400L):32ea	set(s)	1
15	Accessories	Set(s)	1

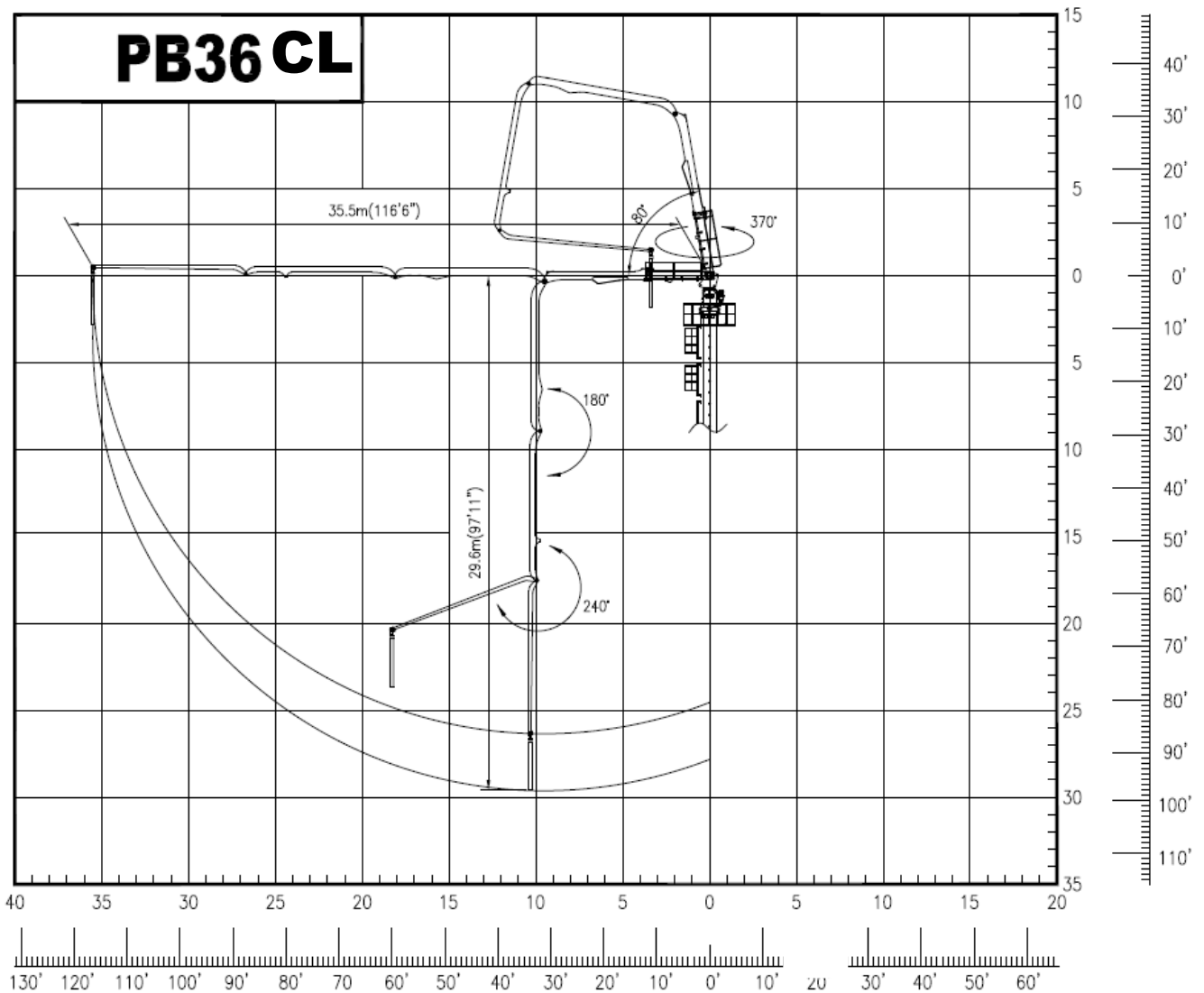
[OPTION ITEMS]

NO.	DESCRIPTION	UNIT	EPB 36 CL
1	Base Frame (including Anchor Mast)	unit(s)	Max freestanding 10mx2 without counter weight
2	Radio Remote Control	set(s)	
3	Delivery Pipes/Clamps	Set(s)	
4	Lifting wire rope	Set(s)	
5	Power Cable	m	

[ACCESSORIES LIST]

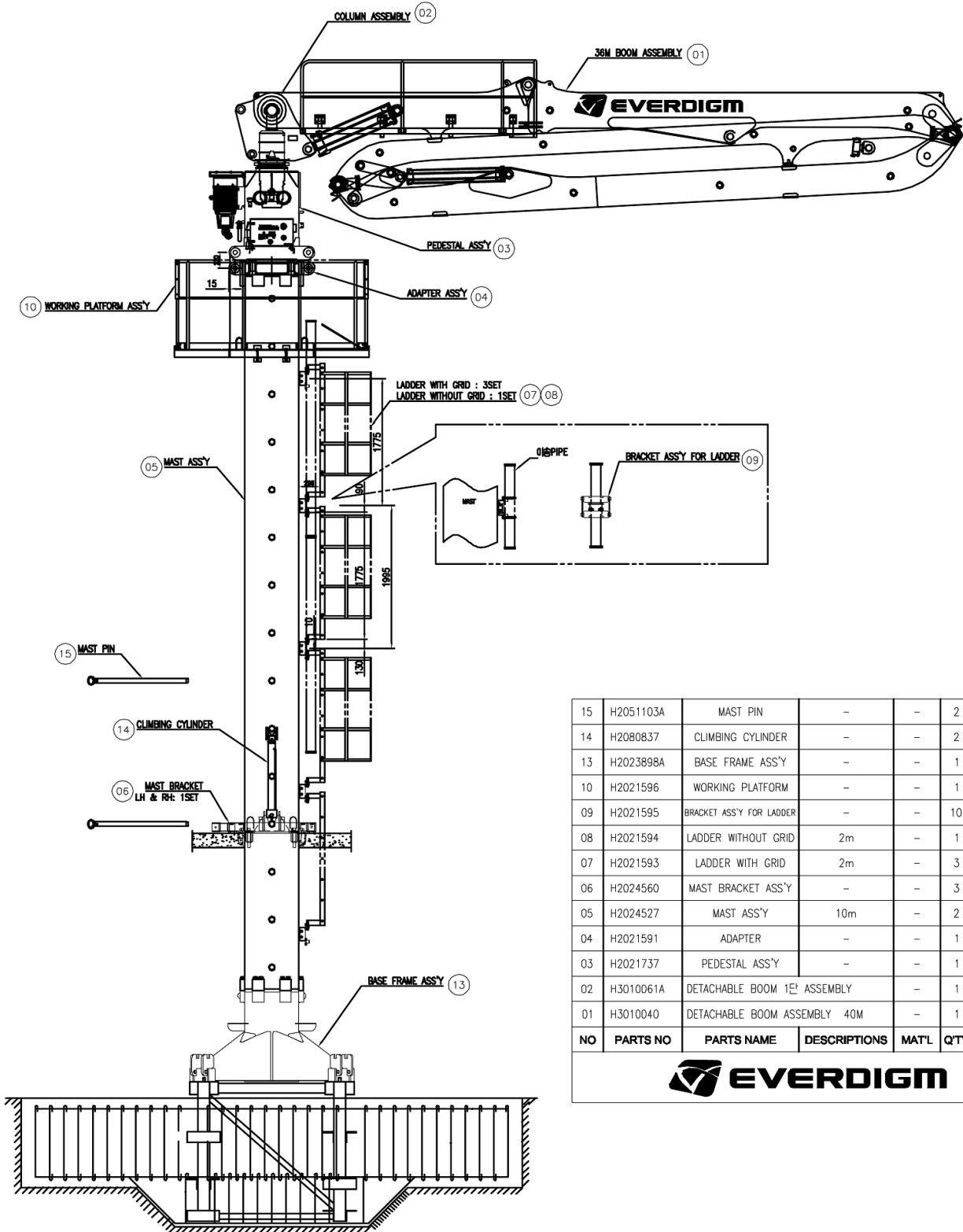
No.	Part No.	Descriptions	Spec.	Unit	Q'ty
1	H2140004-01	TOOLS (HAMMER)	STD	set	1
2	181-00188D4	UNION NUT	M12L	ea	10
3	181-00188D6	UNION NUT	M18L	ea	2
4	181-00187D4	RING;THRUST	DR12L/S	ea	10
5	181-00187D6	RING;THRUST	DR18L	ea	2
6	181-00254D7	PLUG	VS 12L/S	ea	10
7	181-00254D9	PLUG	VS 18L	ea	2
8	181-00204D7	COUPLING;STRAIGHT	GS 12L	ea	10
9	181-00204D9	COUPLING;STRAIGHT	GS 18L	ea	2
10	181-00252D4	COUPLING;STRAIGHT	SNV 12L	ea	4
11	181-00202D29	COUPLING;MALE STUD	GES12L/R1/2-W	ea	4
12	96330001.04	HYD. HOSE	12L-600L	ea	1
13	96330001.101	HYD. HOSE	18L-500L	ea	1
14	H2080352	HYD. HOSE	25S-900L D90	ea	1
15	96330001.147	HYD. HOSE	12S-1650L	ea	1
16	474-00013	FILTER INSERT	10 MICRON	ea	1
17	H2140098	ELEC. SPARE PARTS	DC24V	SET	1
18	26620120A	COUPLING ASS'Y	D125	ea	2
19	93930011A	PACKING	5.5"	ea	6
20	29620002	SPONGE RUBBER BALL	D125	ea	1
21	2660033B	ELBOW 90'	5.5"	ea	1
22	H2080325	FILTER ELEMENT	FOR BOOM	ea	1
23	26600023	MT SCREW COUPLING	5.5"	ea	1
24	26630113	SPACER	6t	ea	2
25	91730014	SPRING PIN		ea	3
26	-	MANUAL&PART LIST		ea	2

Working Range



UNIT:m(ft.in)

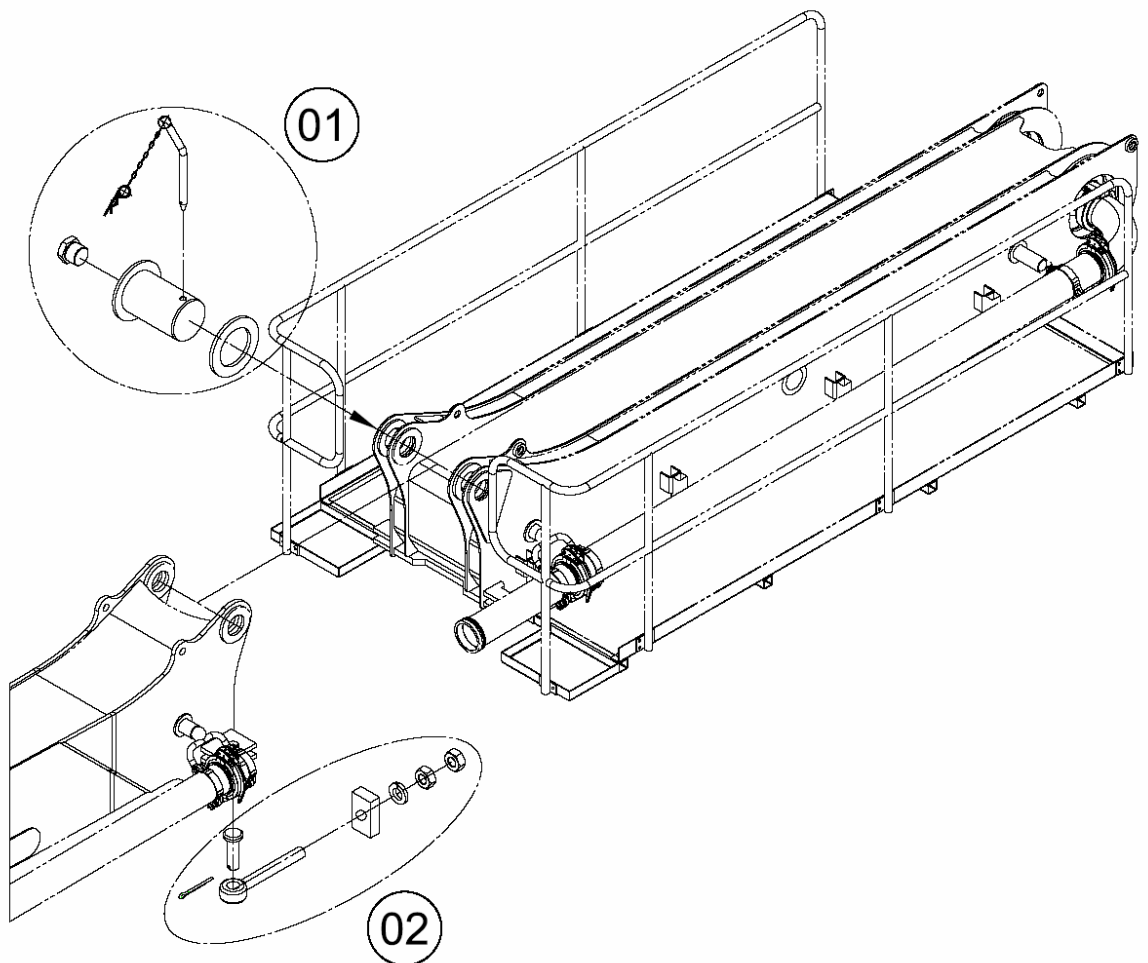
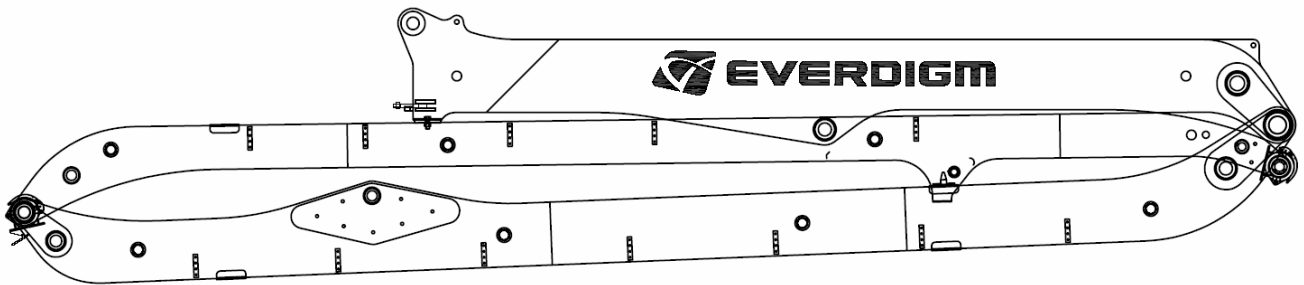
Placing Boom Assembly



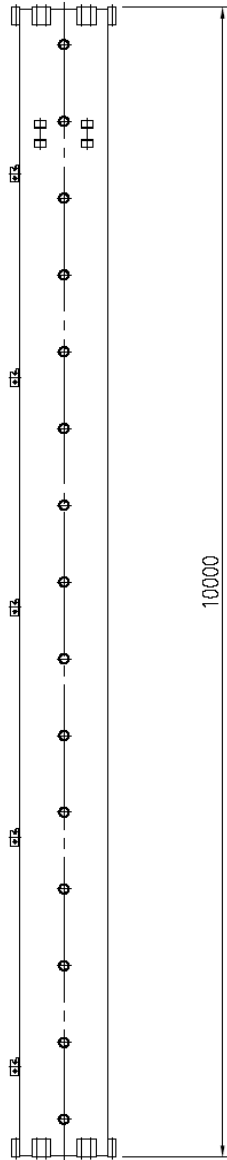
15	H2051103A	MAST PIN	-	-	2	36M Only
14	H2080837	CLIMBING CYLINDER	-	-	2	36M Only
13	H2023898A	BASE FRAME ASS'Y	-	-	1	OPTION
10	H2021596	WORKING PLATFORM	-	-	1	-
09	H2021595	BRACKET ASS'Y FOR LADDER	-	-	10	-
08	H2021594	LADDER WITHOUT GRID	2m	-	1	-
07	H2021593	LADDER WITH GRID	2m	-	3	-
06	H2024560	MAST BRACKET ASS'Y	-	-	3	36M Only
05	H2024527	MAST ASS'Y	10m	-	2	36M Only
04	H2021591	ADAPTER	-	-	1	-
03	H2021737	PEDESTAL ASS'Y	-	-	1	-
02	H3010061A	DETACHABLE BOOM 1E' ASSEMBLY	-	-	1	-
01	H3010040	DETACHABLE BOOM ASSEMBLY 40M	-	-	1	-
NO	PARTS NO	PARTS NAME	DESCRIPTIONS	MAT'L	Q'TY	REMARKS

Boom Assy

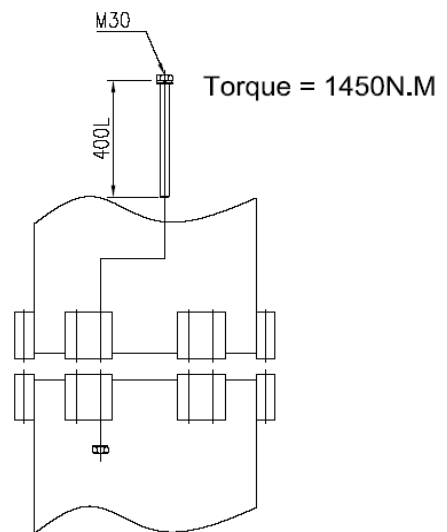
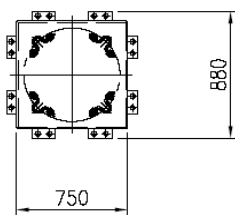
5,250kg



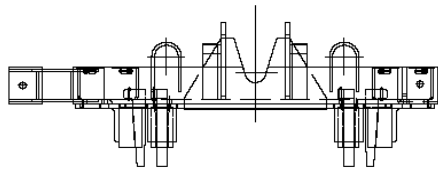
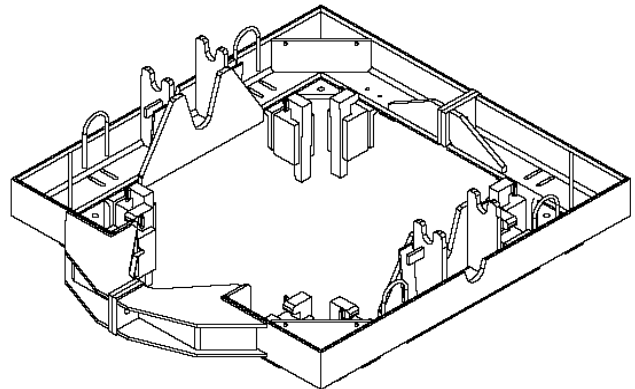
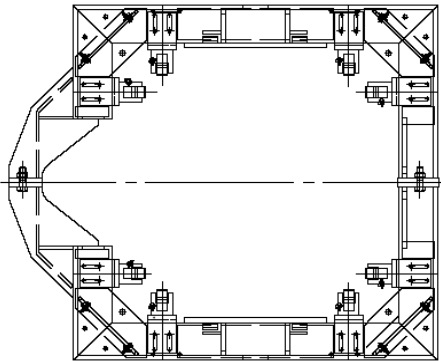
EPB Placing Boom
Mast (Column)



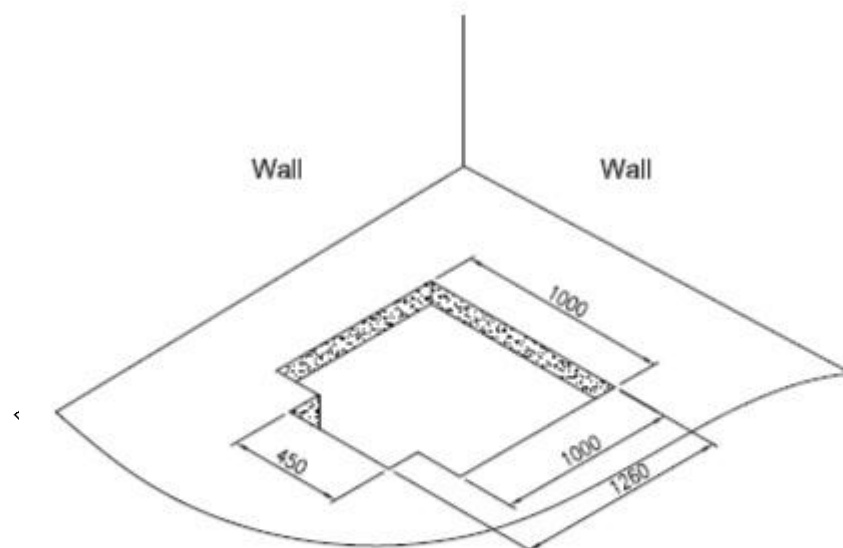
Weight = 3,500kg



EPB Placing Boom
Mast Bracket



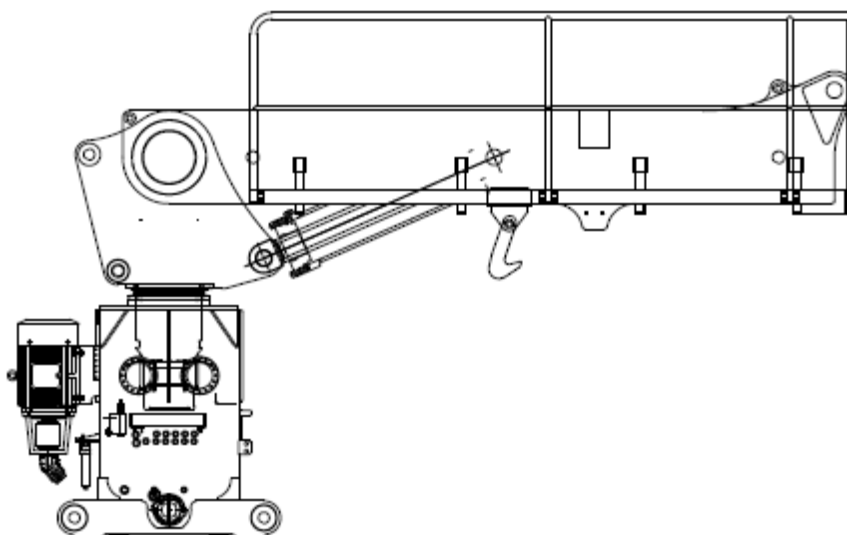
Weight = **410kg**



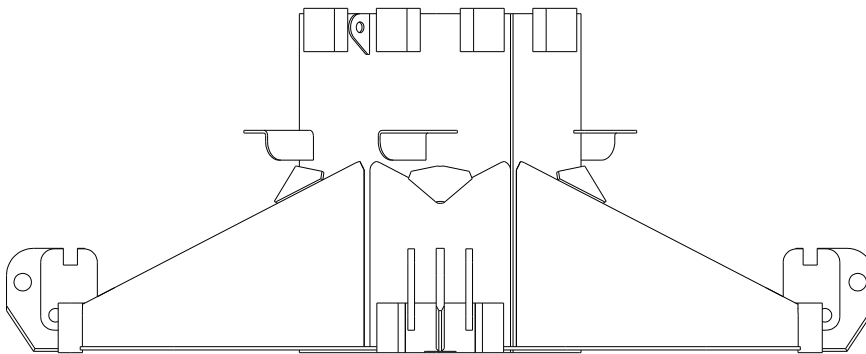
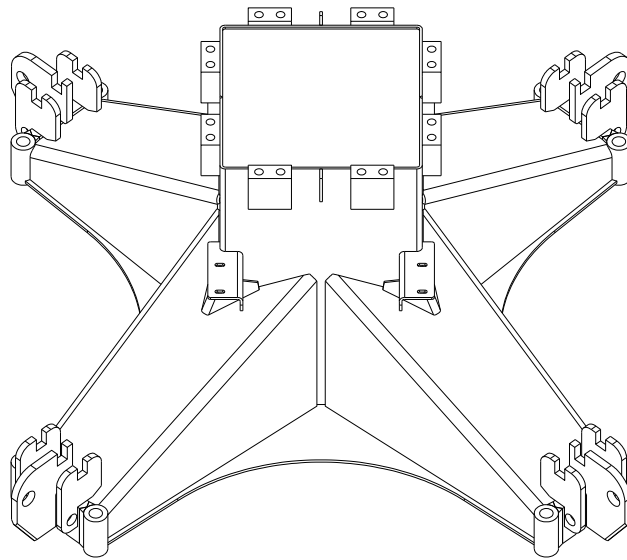
* Floor Cutting Dimension

Pedestal Assembly

4,950kg

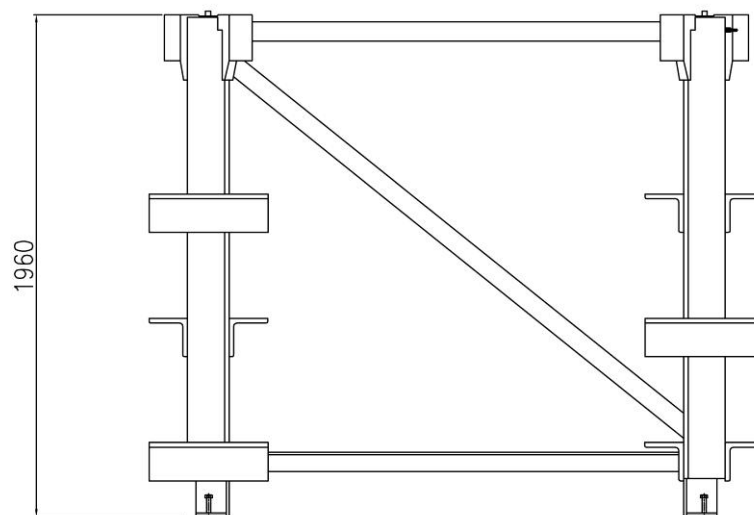
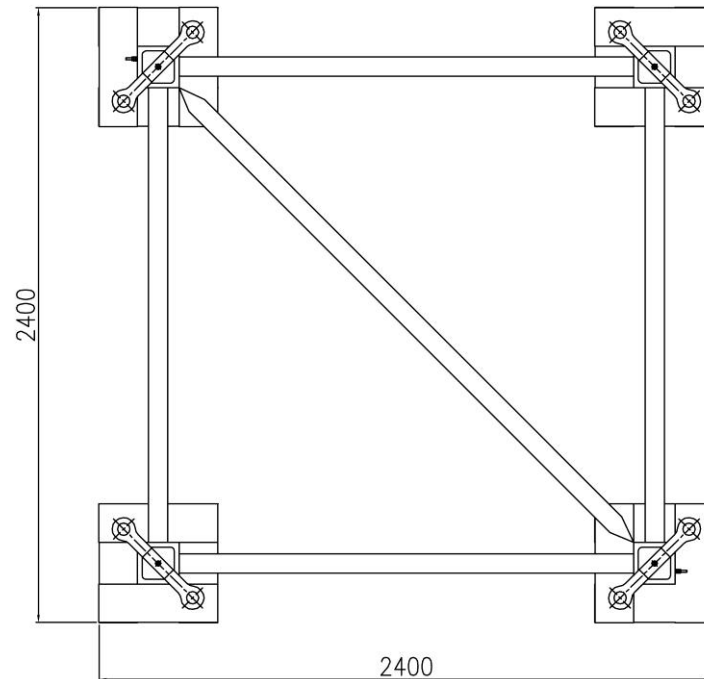


Base Frame & Anchor Mast (Option)



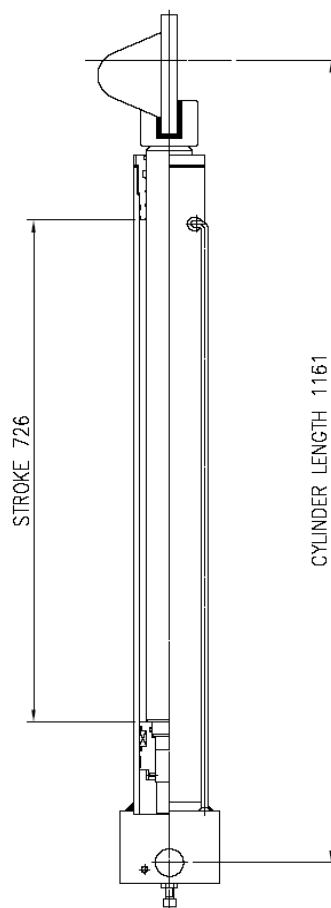
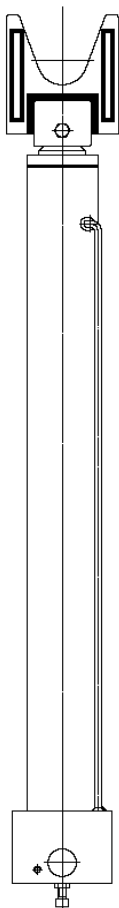
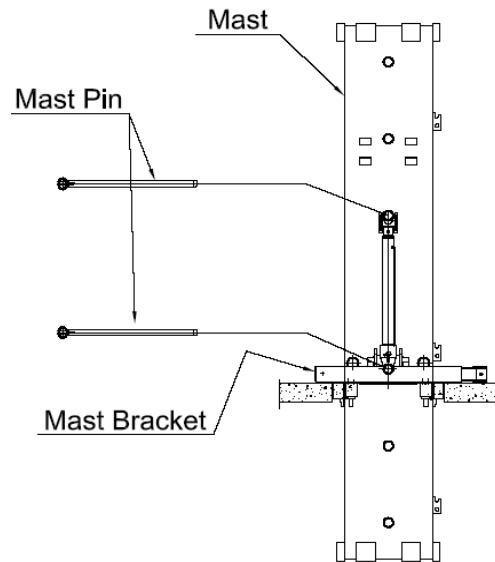
1425Kg

Base Frame & Anchor Mast (Option)

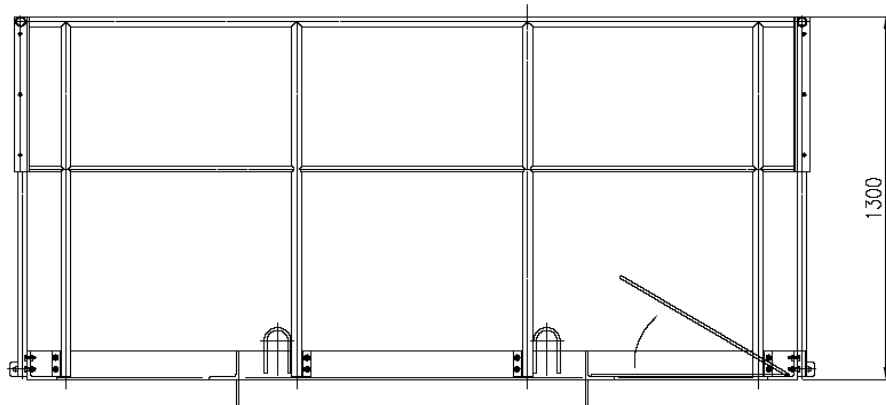
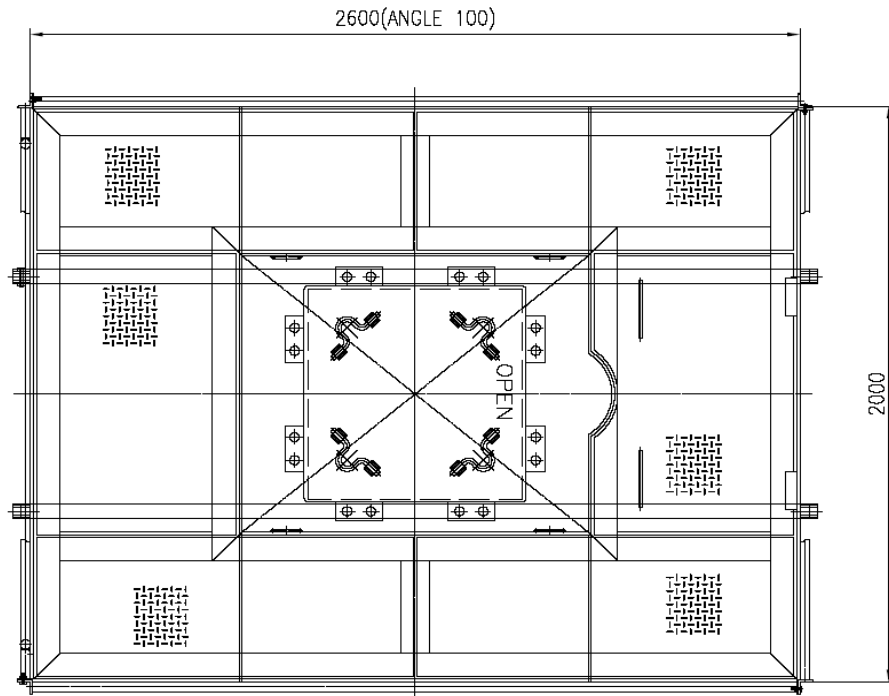


Weight=1,440Kg

EPB Placing Boom
Climbing Cylinder

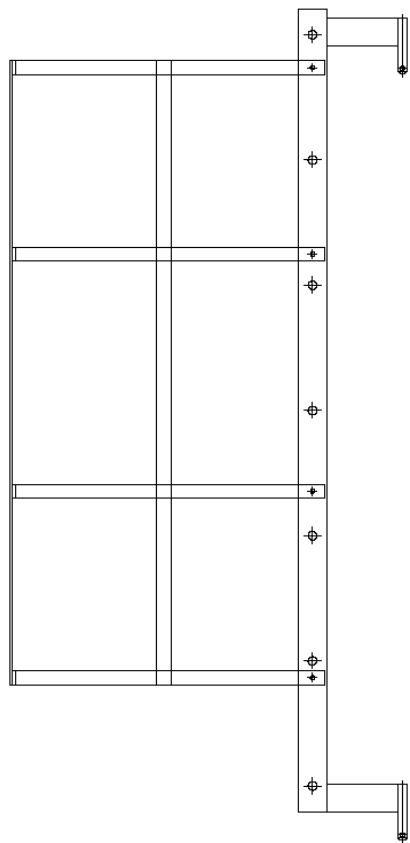
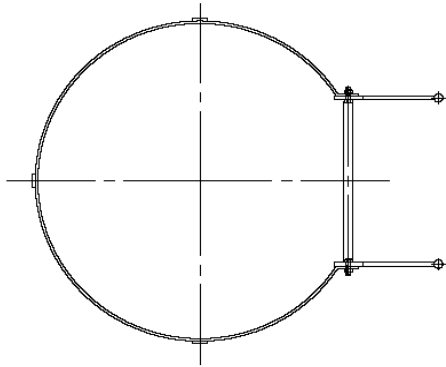


EPB Placing Boom
Working Platform

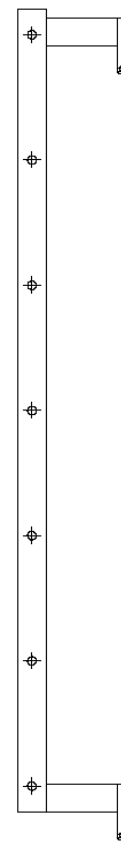


Weight = 450Kg

EPB Placing Boom
Ladder With Grid & Ladder Without Grid

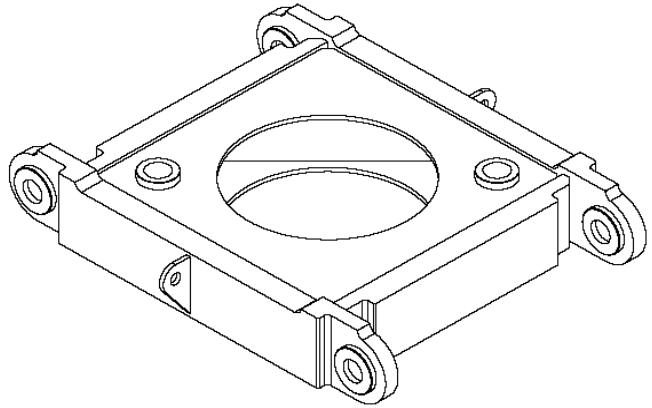


Weight = 40Kg



Weight = 25Kg

EPB Placing Boom
Adapter



Weight = 500Kg

